

# Adaptive LED Headlights – Model 8690 Adaptive 2

## PRODUCT INFORMATION

<b>Description</b>	12V DOT/ECE LED High and Low Beam Adaptive Headlight with Black Inner Bezel
<b>Height</b>	143.00 mm / 5.63 in
<b>Width</b>	143.00 mm / 5.63 in
<b>Depth</b>	82.50 mm / 3.25 in
<b>Shape</b>	Round
<b>Outer Lens Material</b>	Polycarbonate
<b>Outer Lens Color</b>	Clear
<b>Housing Material</b>	Aluminum
<b>Housing Color</b>	Grey
<b>Bezel Color</b>	Black
<b>Retrofits</b>	Bucket 5 3/4" Round Headlights (PAR46)
<b>Minimum Operating Temperature</b>	-40 °C / -40 °F
<b>Maximum Operating Temperature</b>	65 °C / 149 °F
<b>Connector or Wiring</b>	H4
<b>Mating Connector</b>	H4, AMP#172615-2
<b>Product Weight</b>	1.80 lbs / 0.82 kgs
<b>Shipping Weight</b>	2.56 lbs / 1.16 kgs



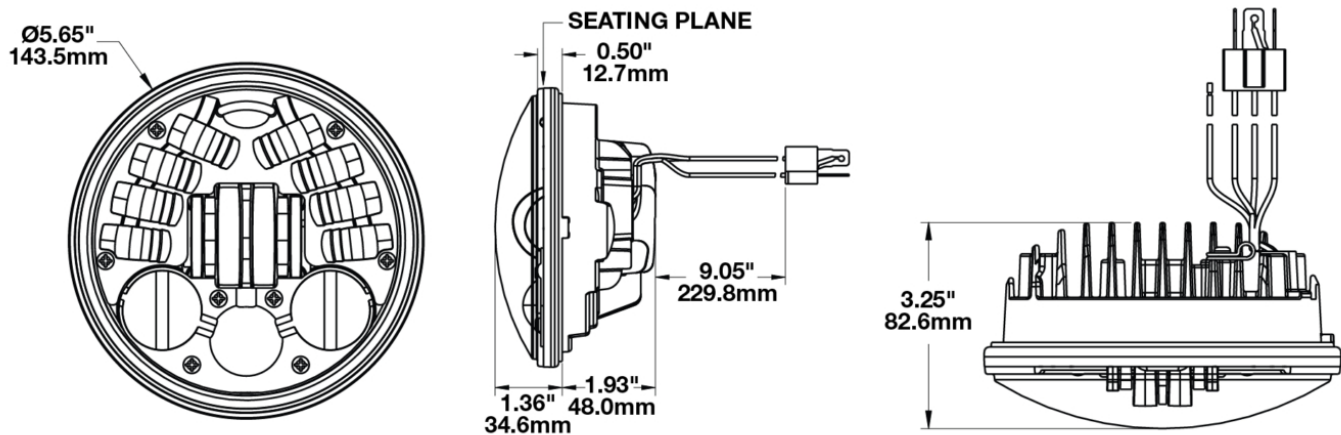
Print date: 2018-04-17

© 2018 J.W. Speaker Corporation • Germantown, WI U.S.A.  
 www.jwspeaker.com • speaker@jwspeaker.com • 262.251.6660

**J.W. SPEAKER**   
 Engineered. Lighting. Solutions.

# Adaptive LED Headlights – Model 8690 Adaptive 2

## PRODUCT DIMENSIONS



## ELECTRICAL SPECIFICATIONS

<b>Input Voltage</b>	12V DC
<b>Operating Voltage</b>	9-16V DC
<b>Transient Spike Protection</b>	150V Peak @ 1 HZ-100 Pulses
<b>Black Wire</b>	Ground
<b>White Wire</b>	High Beam
<b>Yellow Wire</b>	Low Beam
<b>Red Wire</b>	Front Position
<b>Current Draw</b>	1.9A @ 12V DC (Low Beam) 3.2A @ 12V DC (High Beam) 0.21A @ 12V DC (Front Position) 4.2A @ 12V DC (Low Beam at Full Lean) 5.5A @ 12V DC (High Beam at Full Lean)

Print date: 2018-04-17

© 2018 J.W. Speaker Corporation • Germantown, WI U.S.A.  
www.jwspeaker.com • speaker@jwspeaker.com • 262.251.6660

# Adaptive LED Headlights – Model 8690 Adaptive 2

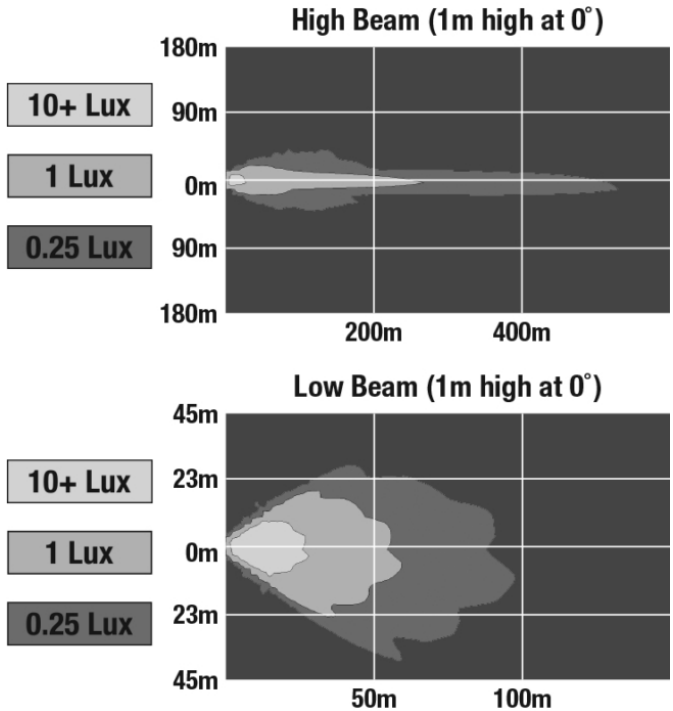
## REGULATORY STANDARDS COMPLIANCE



Buy America Standards	ECE Reg 113
ECE Reg 50	Eco Friendly
FMVSS 108 Table XX	IEC IP67
Tested to ECE Reg. 10 (Radiated Emissions only)	

## PHOTOMETRIC SPECIFICATIONS

<b>Raw Lumen Output</b>	3,520 (High Beam); 2,120 (Low Beam)
<b>Effective Lumen Output</b>	1,600 (High Beam); 1,050 (Low Beam)
<b>Candela Output</b>	60,000 (High Beam); 8,300 (Low Beam)
<b>Nominal LED Color Temperature</b>	5000 K
<b>Beam Pattern(s)</b>	Forward Lighting - High Beam (DOT/ECE) Forward Lighting - Low Beam (DOT/ECE) Signalization - Front Position



Print date: 2018-04-17

© 2018 J.W. Speaker Corporation • Germantown, WI U.S.A.  
www.jwspeaker.com • speaker@jwspeaker.com • 262.251.6660



# Adaptive LED Headlights – Model 8690 Adaptive 2

## APPLICATIONS

---



## ADDITIONAL INFORMATION

---

Improvements over the original Adaptive Series

The NEW Adaptive 2 Series headlights have been improved to feature Adaptive technology when using the high beam, in addition to the low beam. Providing ditch-to-ditch lighting to eliminate dark corners on sharp turns and a punch of light 1,500 feet down the road to give you a safer and more confident ride.

## RELATED PRODUCTS

---



**Part Number**

**0555101**

12V DOT/ECE LED High  
and Low Beam  
Adaptive Headlight  
with Chrome Inner  
Bezel

---

**Print date: 2018-04-17**

© 2018 J.W. Speaker Corporation • Germantown, WI U.S.A.  
www.jwspeaker.com • speaker@jwspeaker.com • 262.251.6660

**J.W. SPEAKER®**  
*Engineered. Lighting. Solutions.*